

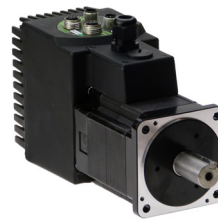
MAC1200 - AC-Servo Motor with Integrated Driver

The new MAC1200 integrated servo motor is based on the well proven MAC800 servo motor but offers a higher output power.

Sold & Serviced By:



Toll Free Phone (877) SERV098
www.electromate.com
sales@electromate.com



Overview - sub versions

	Encoder	IP	Brake	Length
MAC1200-D2-BAAJ	Singleturn	IP55	No	203,3 mm
MAC1200-D2-FAAJ	Abs. multiturn	IP55	No	203,3 mm
MAC1200-D6-BAAJ	Singleturn	IP66	Yes	238,3 mm
MAC1200-D6-FAAJ	Abs. multiturn	IP66	Yes	238,3 mm

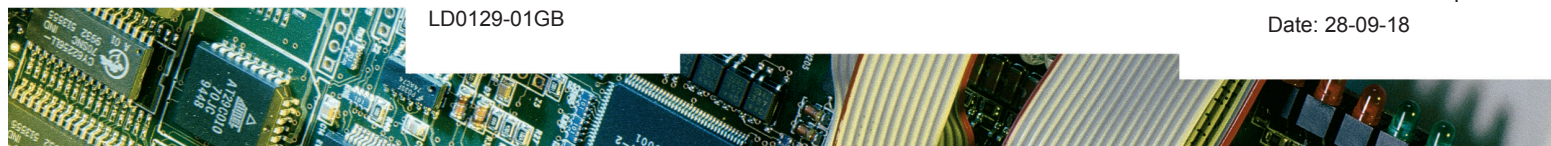
Technical data

Supply voltage $\pm 10\%$	115/230/240 VAC
Speed range (nominal)	0-3000
Rated power @3000 RPM	1140 W
Cont. torque $T_a=40^\circ\text{C}$	3.8 Nm
Peak torque $T_a=40^\circ\text{C}$	11.4 Nm
Rotor inertia no brake/brake	1.6/1.9 kgcm ²
Encoder resolution (inc) (D2-Bxxx)	8000 CPR
Absolute encoder (single/turns) (D2-Fxxx)	8192 CPR*/4096 Rev.
Weight no brake/brake	4.01/5.05 Kg
Protection class	IP55 (IP66 optional)

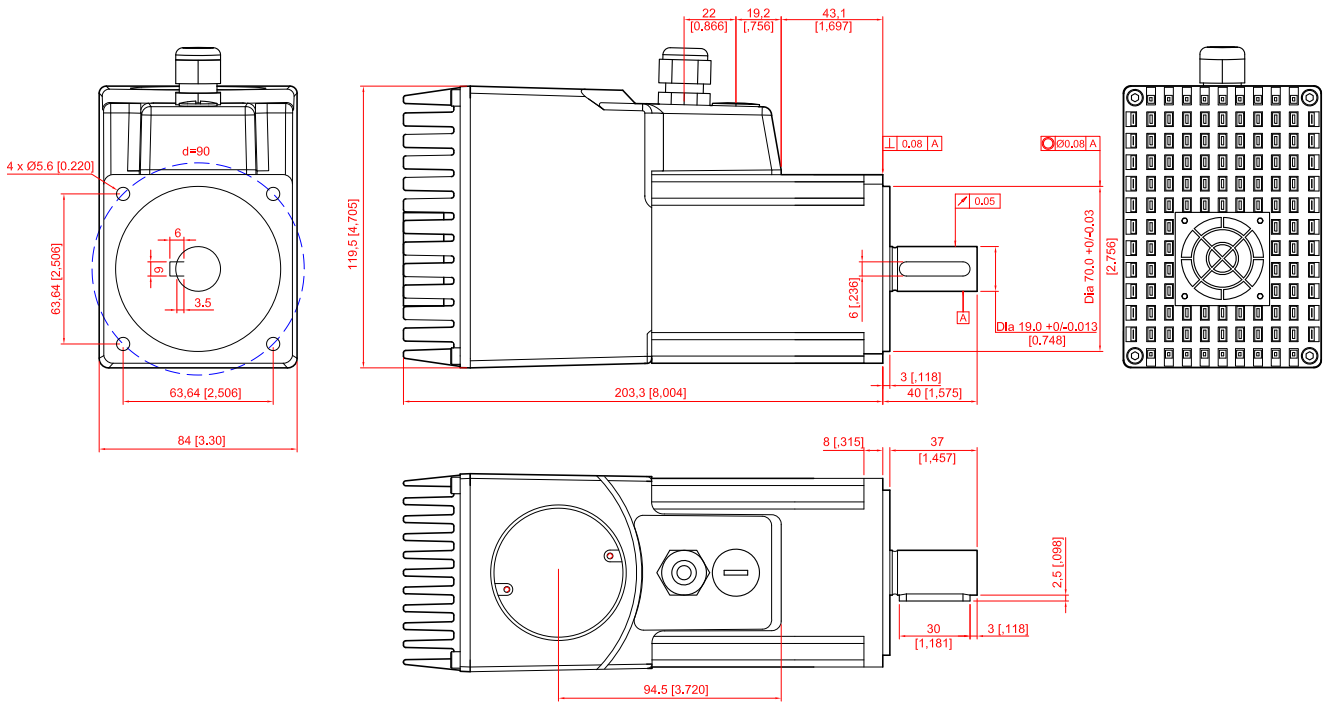
Temperature trip level 84°C

Ambient temperature 0-40°C

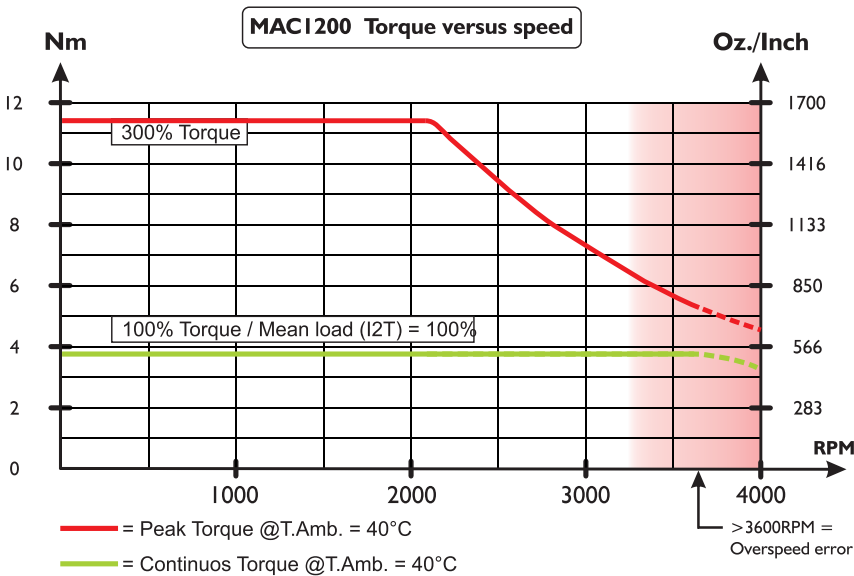
* Default. Can be rescaled to 8000 CPR/Rev.



Mechanical dimensions (without brake)



Motor Torque Specification



Sold & Serviced By:

ELECTROMATE

Toll Free Phone (877) SERV098

www.electromate.com

sales@electromate.com

